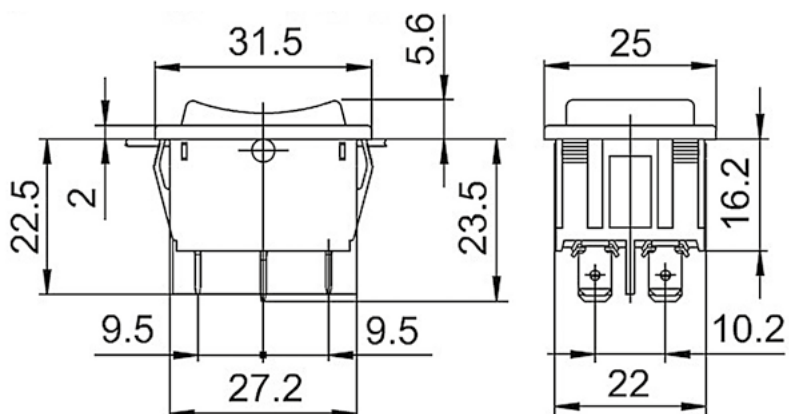


ST5311

Tasto controllo tenda integrato nero



Blind group control push button
as built-in version
(rocker switch)

Technical data

Switching Function	Button with OFF position in the center
Material fixed contact	Cu silver-plated
Number of poles	2 - pole
connections	Quick-connect terminal, 4,8 x 0,8
Mechanical life endurance	5E4
Rating IEC	6 (4) A 250 V AC 1E4
Contact resistance (new condition)	< 100 (1 A 12 V DC) mOhm
Insulation resistance (new condition)	> 100 (500 V DC) MOhm
Protection type	IP 40
Ambient temperature	-20°C ... +55°C
Flammability	UL 94 V-2
Rocker	PA, black, symbols: white
Housing	PA, black
Contact material	Ag
Contact distance	≥ 3 mm

Panel wall thickness	Cutting X	Cutting Y
0,75 ... 1,25	22 +0,2	30 -0,1
1,25 ... 2	22 +0,2	30,2 -0,1
2 ... 3	22 +0,2	30,6 -0,1

Descrizione	Codice articolo
Tasto controllo tenda integrato nero	ST5311