

ST2124

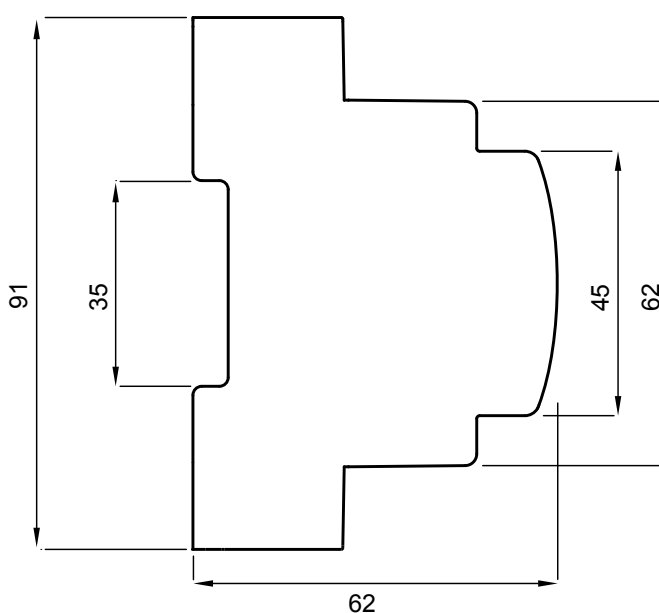
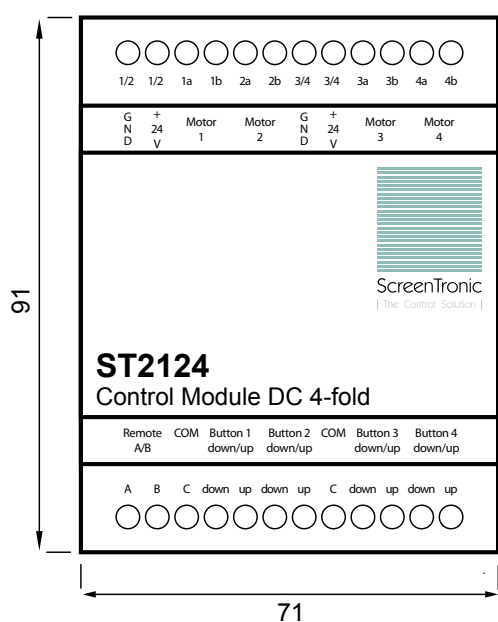
Blind Control Module DC 4-fold



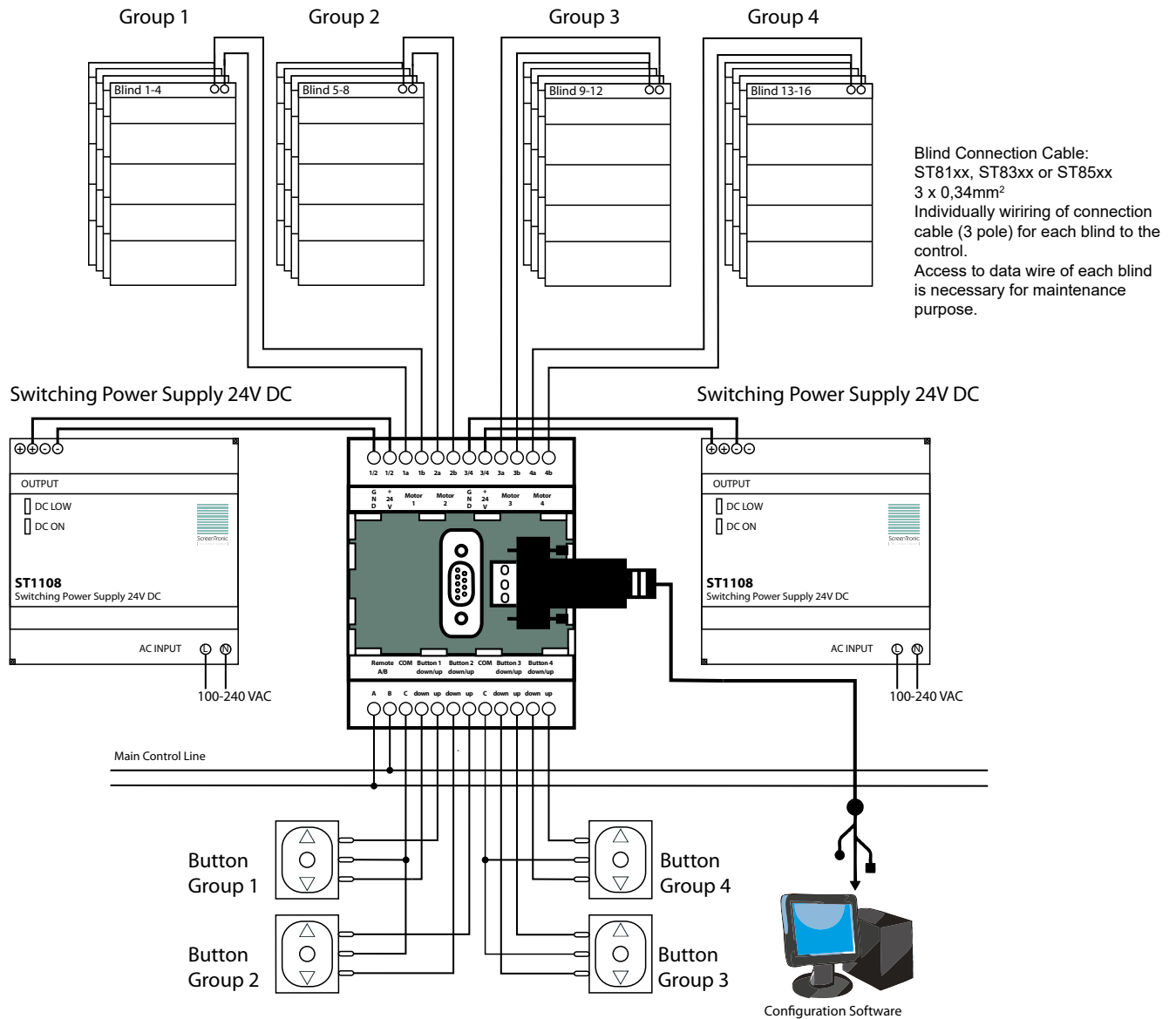
Control Module for control up to 16 blinds in 4 groups.
Remote input for superordinate group control.
Individual configurable with PC-Software.

Technical Features:

- Operating Modes:
 - Blind
 - Blind tilt only
 - Roller blind
- Electronic switching output (short circuit protected)
- Main control input (potential free) for superordinate control module (control group)



ST2124 Blind Control Module DC 4-fold



Connection-No. Top	Description	Comments	Connection-No. Bottom	Beschreibung	Bemerkung
1	GND	Powersupply Group 1/2	1	Remote A	Main Control Line
2	+24V DC		2	Remote B	
3	Blindgroup 1a	Blindgroup 1 (max. 4 motors)	3	COM	Blindgroup-buttons 1 and 2
4	Blindgroup 1b		4	Button 1 Down	
5	Blindgroup 2a	Blindgroup 2 (max. 4 motors)	5	Button 1 Up	
6	Blindgroup 2b		6	Button 2 Down	
7	GND	Powersupply Group 3/4	7	Button 2 Up	Blindgroup-buttons 3 and 4
8	+24V DC		8	COM	
9	Blindgroup 3a	Blindgroup 3 (max. 4 motors)	9	Button 3 Down	
10	Blindgroup 3b		10	Button 3 Up	
11	Blindgroup 4a	Blindgroup 4 (max. 4 motors)	11	Button 4 Down	
12	Blindgroup 4b		12	Button 4 Up	

Dimensions	Description	Order-No.
DIN-rail 4 modules	Blind Control Module DC 4-fold	ST2124
71 x 91 x 62 mm (W x H x D)		