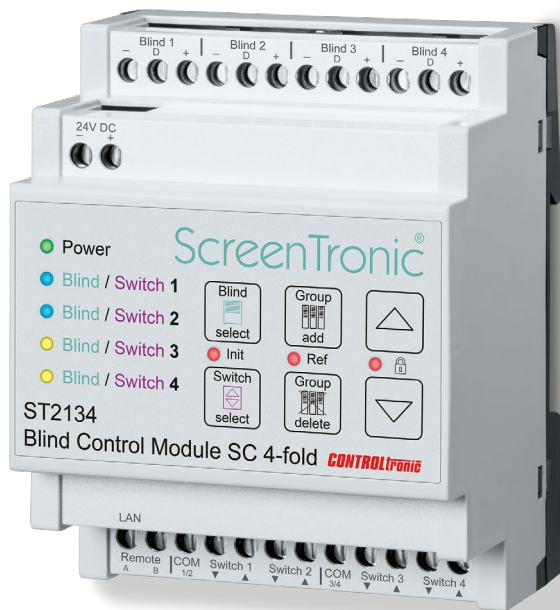
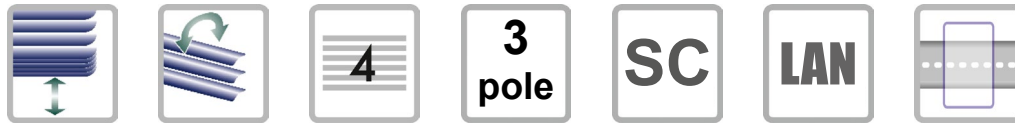
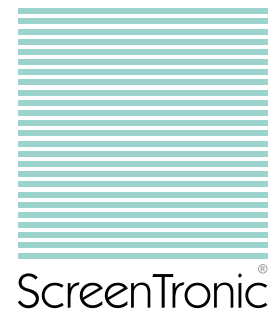


ST2134

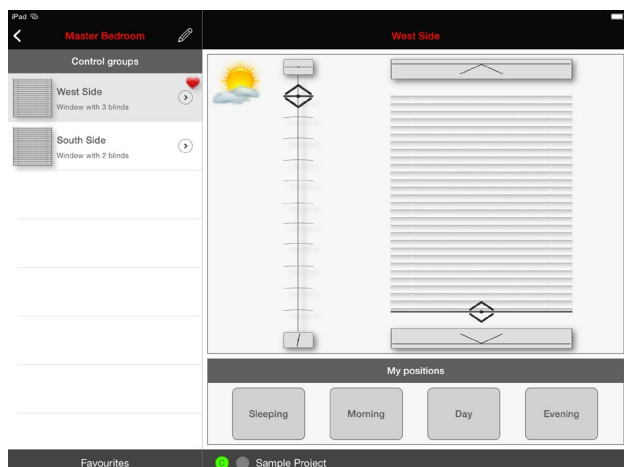
Blind Control Module SC 4-fold



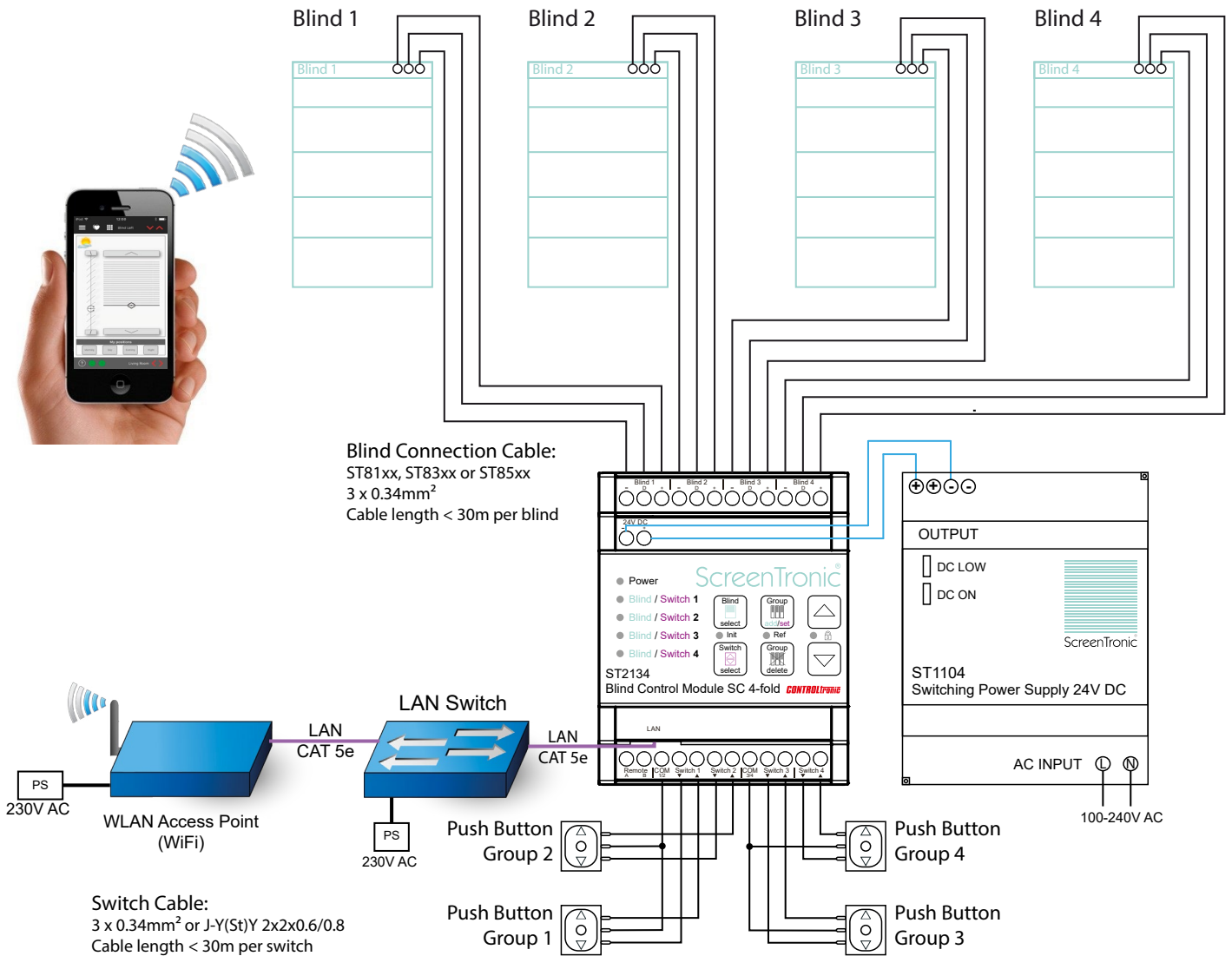
Blind Control Module with network connection for fully digital and bidirectional control of up to 4 blinds with 3-pole SC connection. Four local push button connections for freely definable group control (also across controllers via LAN). Network connection (LAN) as central control line and for smart control via ScreenTronic® App. Extendable with the blind control center ST4212 and weather station ST4138 / ST4181 to a powerful automatic shading system (with sun tracking).

Technical Features:

- Digital and bidirectional communication between blind motor unit and blind control module
- Direct position control and feedback (height and angle)
- Innovative user interface with touch interface
- Controllable via ScreenTronic® App
- Blind connection for 4 blinds (with 3-pole blind connection SC)
- Electronic switching outputs (short-circuit-protected)
- Push button connections for 4 local group control switches (free group assignment)
- Two push button connections can alternatively be used as enable input (window contacts 1-4)
- Central control input: Remote (electrically isolated)
- LAN connection RJ-45 (Ethernet 10/100 MBit)
- Supply voltage: 24V DC (ST1104)
- DIN rail 4 modules: 72mm x 90mm x 60mm (W x H x D)



ST2134 Blind Control Module SC 4-fold



Connection No.	Description	Comment	Connection No.	Description	Comment
1.1	Blind 1 - GND (-)	black	3.1	LAN	Network Connection RJ-45 (Ethernet 10/100 MBit)
1.2	Blind 1 - Data (D)	white			
1.3	Blind 1 - 24V (+)	red	4.1	Remote A	Central Control Input 24V DC pole reversal
1.4	Blind 2 - GND (-)	black	4.2	Remote B	
1.5	Blind 2 - Data (D)	white	4.3	COM 1/2	Group Control Push Button 1 and 2
1.6	Blind 2 - 24V (+)	red	4.4	Switch 1 ▼	
1.7	Blind 3 - GND (-)	black	4.5	Switch 1 ▲	
1.8	Blind 3 - Data (D)	white	4.6	Switch 2 ▼	
1.9	Blind 3 - 24V (+)	red	4.7	Switch 2 ▲	Group Control Push Button 3 and 4 alternative Enable Input 1-4 (window contact 1-4)
1.10	Blind 4 - GND (-)	black	4.8	COM 3/4	
1.11	Blind 4 - Data (D)	white	4.9	Switch 3 ▼	
1.12	Blind 4 - 24V (+)	red	4.10	Switch 3 ▲	
2.1	GND	Power Supply 24V DC (ST1104)	4.11	Switch 4 ▼	
2.2	+24V DC		4.12	Switch 4 ▲	

Description	Order No.
Blind Control Module SC 4-fold	ST2134