

ST3134

KNX Blind Actuator SC 4-fold

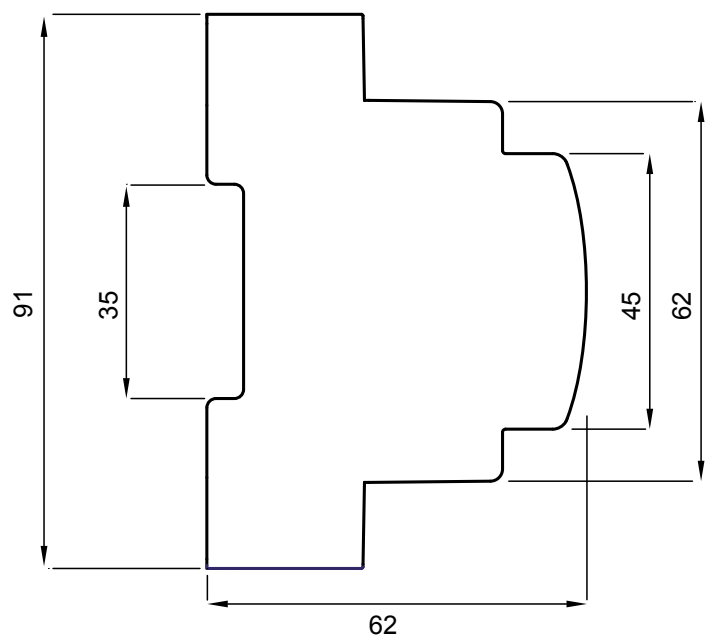
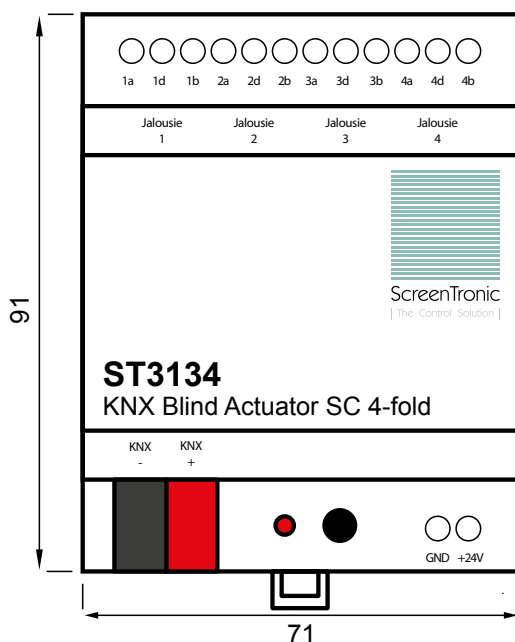


The KNX Blind Actuator is specially designed for the control of blinds in insulating glass or for applications with high demands on precise control. The Actuator is specific for the control of 24V SC brushless motors via a 3-pole wire. Every output is for connection of a single blind, which gets the power through 2 wires and is controlled very exactly with the 3rd wire (communication).

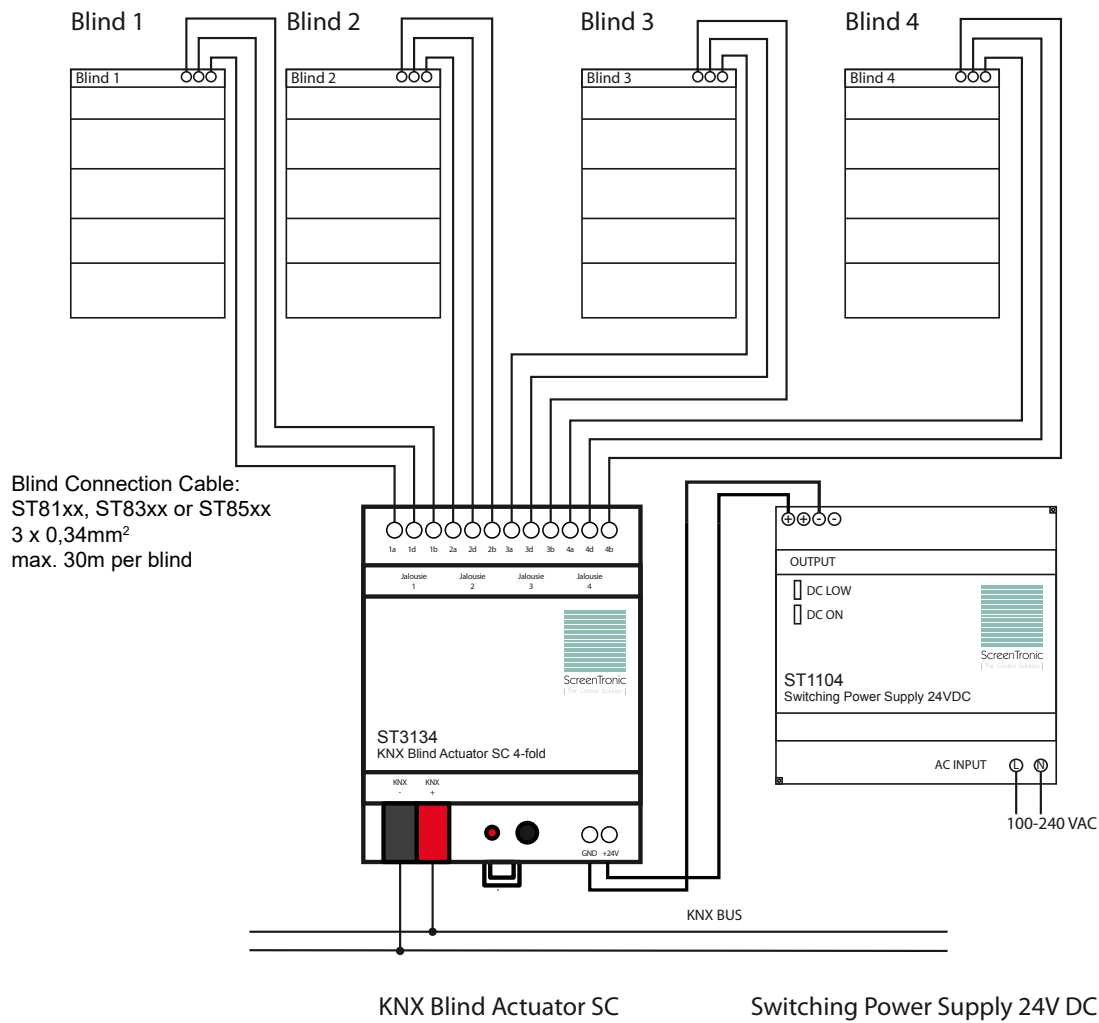
The signals from KNX switches (local or central) and/or a KNX weather station are transmitted via the KNX bus cable to the actuator. The control commands (up/down, turn/stop, positioning and feedback) are available for each blind individually. A precise position control and feedback allows perfect sun tracking and integration into building management systems.

Technical Features:

- Operating modes:
 - Venetian blind
 - Venetian blind tilt only
 - Roller blind
- Electronic switching outputs (short-circuit-protected)
- Operating hours counter
- Central automatic control objects (deactivatable through local control)
- Position control and feedback (for sun tracking)



ST3134 KNX Blind Actuator SC 4-fold



Connection-No.	Description	Comments
1	Blind 1 a	Blind 1
2	Blind 1 data	
3	Blind 1 b	
4	Blind 2 a	Blind 2
5	Blind 2 data	
6	Blind 2 b	
7	Blind 3 a	Blind 3
8	Blind 3 data	
9	Blind 3 b	
10	Blind 4 a	Blind 4
11	Blind 4 data	
12	Blind 4 b	
13	KNX -	KNX Connection
14	KNX +	
15	GND	Power supply 24V DC
16	+24VDC	

Dimensions	Designation	Order number
DIN rail 4 modules	KNX Blind Actuator SC 4-fold	ST3134
71 x 91 x 62 mm (W x H x D)		