

# ST913x

## Tappet Contact SC (3-pole)

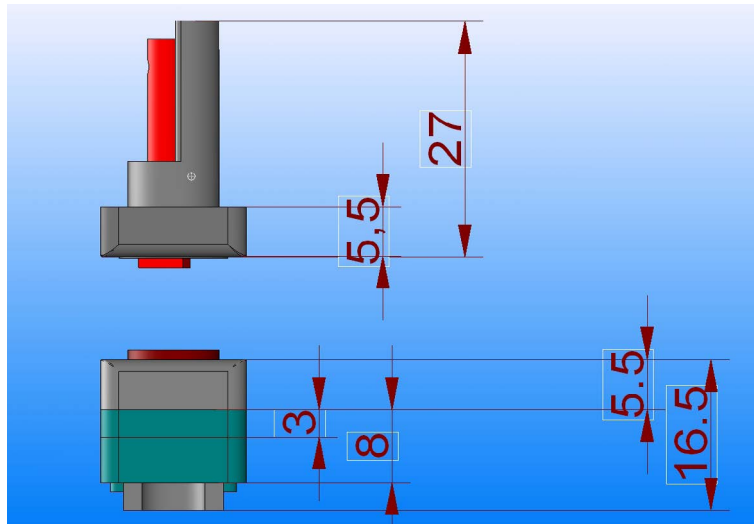
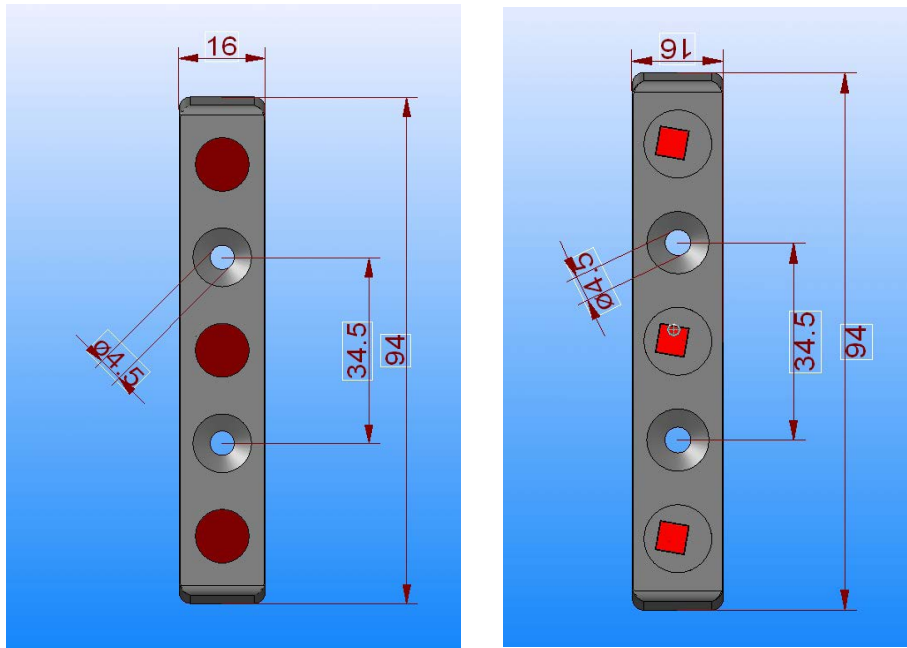


The tappet contacts ST9131 (white) and ST9132 (black) are suitable for transmission of electricity to windows or doors. A permanent electrical contact stability is ensured by a strong magnet that attracts the magnetic tappets. This contacts work entirely without access ramp, which allows the contacts to close from each position and side. As a result, the contacts are qualified for both normal window, turn/tilt doors as well as for lifting/sliding doors.



Description	Order-No.
Tappet Contact SC (3-pole) white	ST9131
Tappet Contact SC (3-pole) black	ST9132

## ST913x Tappet Contact SC (3-pole)



### Technical Data

Operating Voltage	max. 30V / DC $\pm$ 10%
Switching Current	max. 1,5 A continuous load
Poles	3 pole
Operating Distance	max. 6 mm magnet $\leftrightarrow$ tappet
Connection Terminals	Screw terminal
	max 0,5 mm <sup>2</sup> Cross Section
Ambient Temperature	-20°C bis +80°C / 10% bis 85%rf (noncondensing)
Lifetime	about 20 000 cycles
Material	Plastic ASA UV resistant UL - HB listed
Contact Part 1	94 x 16 x 27 mm
Depth Part 1	22 mm
Contact Part 2	94 x 16 x 16 mm
Depth Part 1	11 mm
Colour	white or black